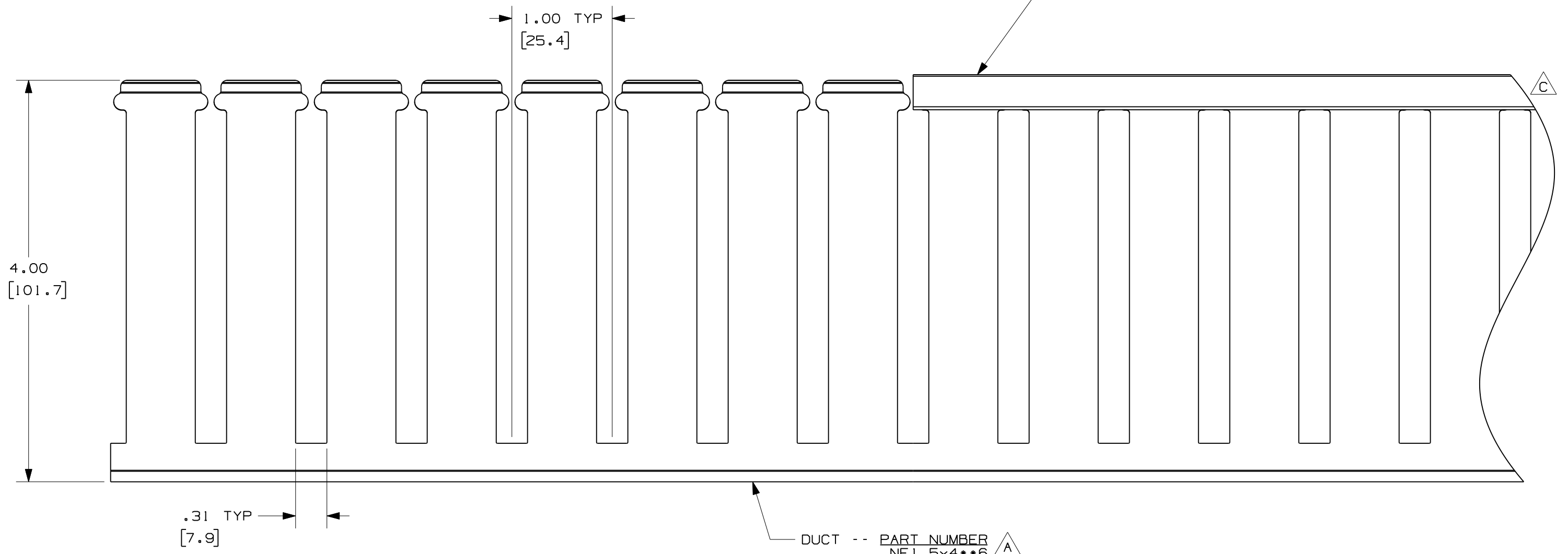
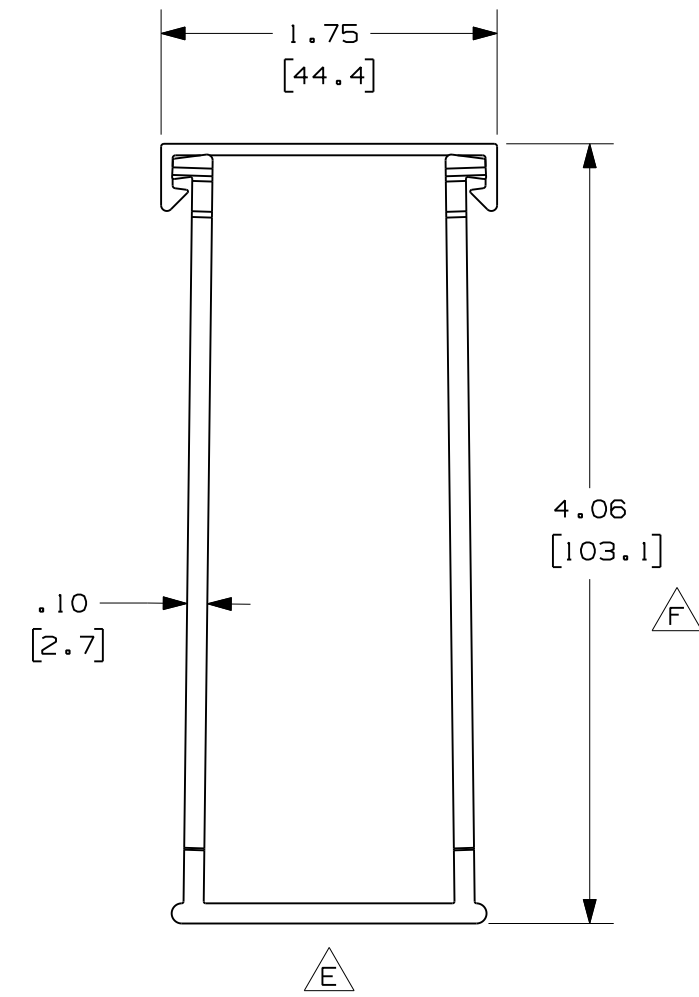


COVER -- PART NUMBER
NC1.5**6



DUCT -- PART NUMBER
NE1.5x4**6

- NOTE.**
- 1. ALL DIMENSIONS ARE REFERENCE ONLY.
 - 2. DIMENSIONS IN PARENTHESES ARE METRIC.
 - 3. DUCT AND COVER ARE AVAILABLE IN 6 FT (1828.8) LENGTHS.
 - 4. THE ** DENOTES COLOR.

REV	DATE	BY	CHK	DESCRIPTION
3	9-26-08	JCSTMKBE		I. CHANGED AND ADDED NOTES H. MODIFIED MATERIAL
--	-----	---	---	G. ADDED LENGTH NOTE F. CORRECTED DIMENSION
2	8-7-07	JCSTMKBE		E. DELETED DIMENSION D. ADDED DIMENSION
1	9-15-05	JCSTMKBE		B. CHANGED TITLE BLOCK C. CHANGED VIEWS A. ADDED LABELS, AND NOTES
R	10-16-03	JHNU	JGG	DRAWING RELEASED

CAD FILENAME/LAYERS: D11000RR_DC/02A

PANDUIT CORP., TINLEY PARK, ILLINOIS

WIRING DUCT - TYPE NE WITH COVER
1.5 X 4
MARKETING DRAWING

DRAWN BY JHNU	MAT'L:	SCALE FULL
DATE 10-16-03	HALOGEN FREE MODIFIED PPO	DWG NO. 36897-940
CHECKED BY JGG		DWG C SIZE